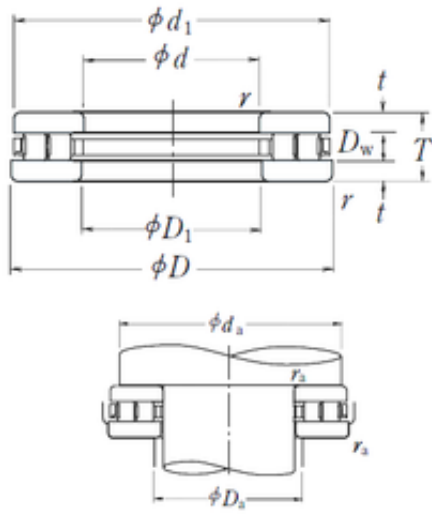




TYB PRECISION AXLE CORP.



NSK 300TMP12 CYLINDRICAL ROLLER THRUST BEARINGS

Bearing No. 300TMP12

Size	300x420x95 mm
Bore Diameter	300 mm
Outer Diameter	420 mm
Width	95 mm
d	300 mm
D	420 mm
hidYobi	300TMP12
LangID	1
D_	420
C	1390
B_	95
hidTable	ecat_NSCRT
Oil rpm	670
mass	42
d1	415
GRS rpm	220
ra	2.5
D_a	322
C0	6250
D_1	304
Prod_Type3	TB_TCRB_A
da	398
DA_	38
Z_	22
Dw	38

300TMP12 Bearing 2D drawings and 3D CAD models



TYB PRECISION AXLE CORP.

yobi	300TMP12
RAC	160
t	28.5
r	3
T_	95
KBRG	4614