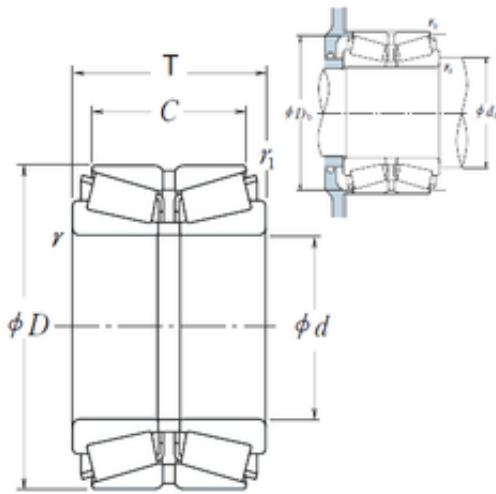




TYB PRECISION AXLE CORP.



NSK 110KBE31+L DOUBLE-ROW BEARINGS

Bearing No. 110KBE31+L

110KBE31+L Bearing 2D drawings and 3D CAD models

Size	110x180x56 mm
Bore Diameter	110 mm
Outer Diameter	180 mm
Width	56 mm
d	110 mm
D	180 mm
T	56 mm
C	50 mm
r min.	2,5 mm
r1 min.	0,6 mm
da min.	125 mm
Db min.	172 mm
ra max.	2 mm
rb max.	0,6 mm
Weight	5,11 Kg
Basic dynamic load rating (C)	264 kN
Basic static load rating (C0)	400 kN
(Grease) Lubrication Speed	1500 r/min
(Oil) Lubrication Speed	2000 r/min
Calculation factor (e)	0,39
Calculation factor (Y0)	1,7
Calculation factor (Y2)	2,6