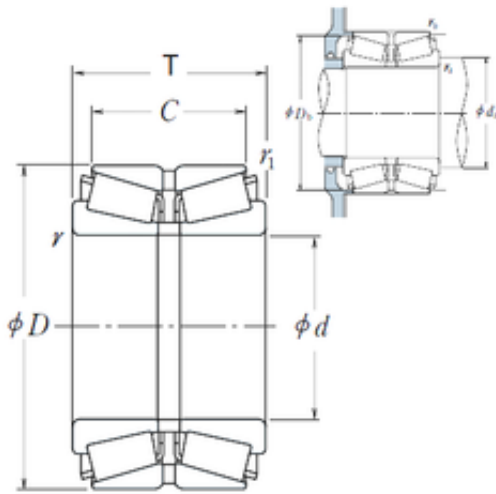




TYB PRECISION AXLE CORP.



HR100KBE042+L Bearing 2D drawings and 3D CAD models

NSK HR100KBE042+L DOUBLE-ROW BEARINGS

Bearing No. HR100KBE042+L

Size	100x180x81 mm
Bore Diameter	100 mm
Outer Diameter	180 mm
Width	81 mm
d	100 mm
D	180 mm
T	81 mm
C	65 mm
r min.	3 mm
r1 min.	1 mm
da min.	118 mm
Db min.	170 mm
ra max.	2,5 mm
rb max.	1 mm
Weight	8,13 Kg
Basic dynamic load rating (C)	435 kN
Basic static load rating (C0)	665 kN
(Grease) Lubrication Speed	1600 r/min
(Oil) Lubrication Speed	2200 r/min
Calculation factor (e)	0,42
Calculation factor (Y0)	1,6
Calculation factor (Y2)	2,4