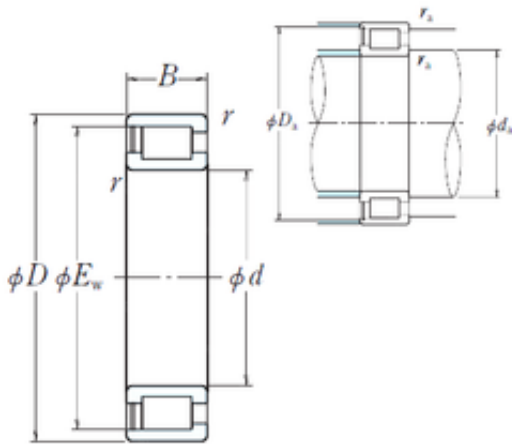




# TYB PRECISION AXLE CORP.

## 300 mm x 380 mm x 38 mm NSK NCF1860V FULL-COMPLEMENT CYLINDRICAL ROLLER BEARINGS



Bearing No. NCF1860V

Size	300x359x38 mm
Bore Diameter	300 mm
Outer Diameter	359 mm
Width	38 mm
d	300 mm
D	380 mm
E <sub>w</sub>	359 mm
B	38 mm
C	38 mm
r min.	2,5 mm
Da	360 mm
ra max.	2 mm
da	319 mm
Weight	9,7 Kg
Basic dynamic load rating (C)	445 kN

NCF1860V Bearing 2D drawings and 3D CAD models