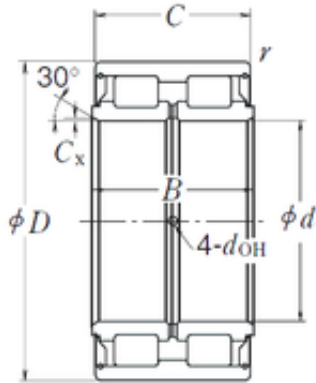




# TYB PRECISION AXLE CORP.



## 400 mm x 600 mm x 272 mm NSK RS-5080 FULL-COMPLEMENT CYLINDRICAL ROLLER BEARINGS

Bearing No. RS-5080

RS-5080 Bearing 2D drawings and 3D CAD models

Size	400x600x272 mm
Bore Diameter	400 mm
Outer Diameter	600 mm
Width	272 mm
d	400 mm
D	600 mm
B	272 mm
C	270 mm
r min.	2 mm
C2	2,1 mm
Weight	280 Kg
Basic dynamic load rating (C)	4250 kN
Basic static load rating (C0)	9950 kN
hidYobi	RS-5080
LangID	1
D_	600
B_	272
hidTable	ecat_NSCLDRSG
Cx	2.1
mass	280
GRS rpm	220
da_min	412
C0	9950
DE_	547



## TYB PRECISION AXLE CORP.

Prod_Type3	CRB_FRFS_PT_WOLR
DA_	50
Z_	31
r_min	2
yobi	RS-5080
SDM_	497
r	270
KBRG	4220
DI_	447
doh	10