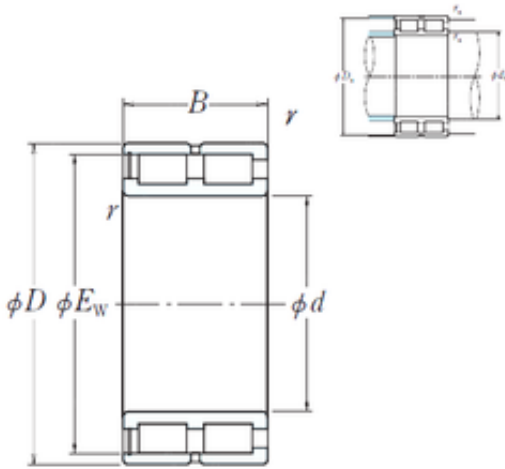




TYB PRECISION AXLE CORP.

380 mm x 560 mm x 243 mm NSK NNCF5076V FULL-COMPLEMENT CYLINDRICAL ROLLER BEARINGS

Bearing No. NNCF5076V



NNCF5076V Bearing 2D drawings and 3D CAD models

Size	380x521.4x243 mm
Bore Diameter	380 mm
Outer Diameter	521,4 mm
Width	243 mm
d	380 mm
D	560 mm
Ew	521,4 mm
B	243 mm
C	243 mm
r min.	5 mm
Da	529 mm
ra max.	4 mm
da	408 mm
Weight	194 Kg
Basic dynamic load rating (C)	4500 kN