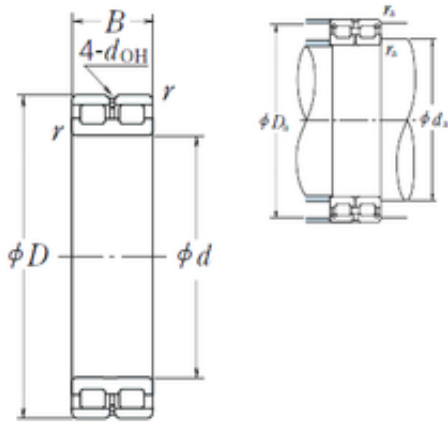




TYB PRECISION AXLE CORP.



460 mm x 580 mm x 118 mm NSK RSF-4892E4 FULL-COMPLEMENT CYLINDRICAL ROLLER BEARINGS

Bearing No. RSF-4892E4

RSF-4892E4 Bearing 2D drawings and 3D CAD models

Size	460x580x118 mm
Bore Diameter	460 mm
Outer Diameter	580 mm
Width	118 mm
d	460 mm
D	580 mm
B	118 mm
C	118 mm
r min.	3 mm
da min.	473 mm
Da max.	567 mm
ra max.	2,5 mm
Weight	77,5 Kg
Basic dynamic load rating (C)	1730 kN
Basic static load rating (C0)	5150 kN
(Grease) Lubrication Speed	190 r/min
hidYobi	RSF-4892E4
LangID	1
D_	580
B_	118
hidTable	ecat_NSCLDRS
Oil rpm	190
mass	77.5
GRS rpm	380



TYB PRECISION AXLE CORP.

ra	2.5
da_min	473
C0	5150
DE_	549.2
Prod_Type3	CRB_FRFS_OT_FREE
DA_	26
Z_	63
yobi	RSF-4892E4
da_max	567
SDM_	523.2
r	3
KBRG	4210
disp	7
DI_	497.2
doh	9