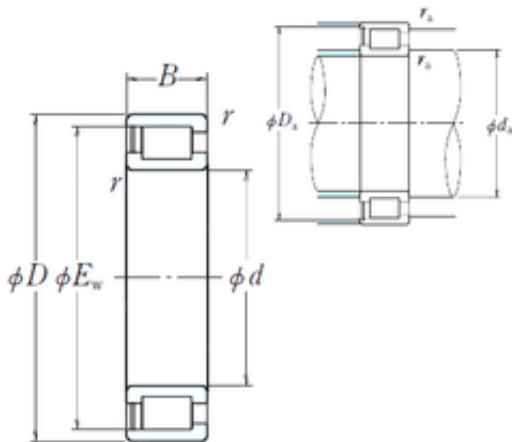




TYB PRECISION AXLE CORP.

400 mm x 540 mm x 82 mm NSK NCF2980V FULL-COMPLEMENT CYLINDRICAL ROLLER BEARINGS



Bearing No. NCF2980V

| | |
|-------------------------------|---------------|
| Size | 400x511x82 mm |
| Bore Diameter | 400 mm |
| Outer Diameter | 511 mm |
| Width | 82 mm |
| d | 400 mm |
| D | 540 mm |
| E _w | 511 mm |
| B | 82 mm |
| C | 82 mm |
| r min. | 4 mm |
| Da | 513 mm |
| ra max. | 3 mm |
| da | 425 mm |
| Weight | 53,4 Kg |
| Basic dynamic load rating (C) | 1650 kN |

NCF2980V Bearing 2D drawings and 3D CAD models