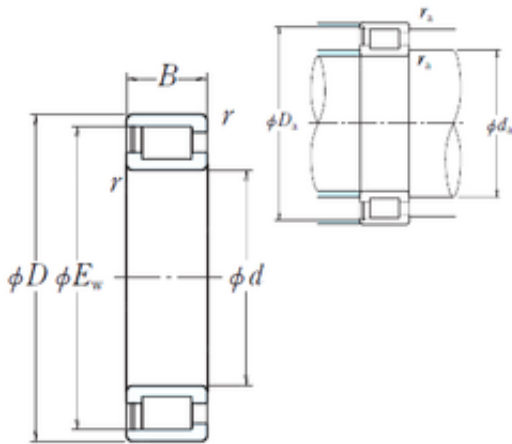




# TYB PRECISION AXLE CORP.

## 560 mm x 680 mm x 56 mm NSK NCF18/560V FULL-COMPLEMENT CYLINDRICAL ROLLER BEARINGS



Bearing No. NCF18/560V

|                               |                 |
|-------------------------------|-----------------|
| Size                          | 560x654.7x56 mm |
| Bore Diameter                 | 560 mm          |
| Outer Diameter                | 654,7 mm        |
| Width                         | 56 mm           |
| d                             | 560 mm          |
| D                             | 680 mm          |
| Ew                            | 654,7 mm        |
| B                             | 56 mm           |
| C                             | 56 mm           |
| r min.                        | 3 mm            |
| Da                            | 655 mm          |
| ra max.                       | 2,5 mm          |
| da                            | 585 mm          |
| Weight                        | 39,3 Kg         |
| Basic dynamic load rating (C) | 1020 kN         |

NCF18/560V Bearing 2D drawings and 3D CAD models