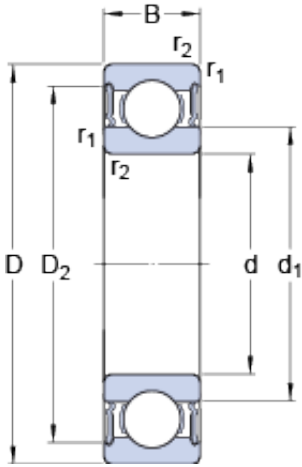




# TYB PRECISION AXLE CORP.



6305-2RS1 Bearing 2D drawings and 3D CAD models

## Deep Groove Ball Bearing SKF Bearing 6305-2RS1 Ball Bearing

Bearing No. 6305-2RS1

Size	62x25x17 mm
Bore Diameter	62 mm
Outer Diameter	25 mm
Width	17 mm
d	25 mm
D	62 mm
B	17 mm
d <sub>1</sub>	36.6 mm
D <sub>2</sub>	52.7 mm
r <sub>1,2</sub> - min.	1.1 mm
d <sub>a</sub> - min.	32 mm
d <sub>a</sub> - max.	36.5 mm
D <sub>a</sub> - max.	55 mm
r <sub>a</sub> - max.	1 mm
Basic dynamic load rating - C	23.4 kN
Basic static load rating - C <sub>0</sub>	11.6 kN
Fatigue load limit - P <sub>u</sub>	0.49 kN
Limiting speed	7500 r/min
Calculation factor - k <sub>r</sub>	0.03
Calculation factor - f <sub>0</sub>	12
Category	Single Row Ball Bearings
Inventory	0.0
Manufacturer Name	SKF
Minimum Buy Quantity	N/A



## TYB PRECISION AXLE CORP.

Weight / Kilogram	0.236
EAN	7316577758835
Product Group	B00308
Enclosure	2 Seals
Precision Class	ABEC 1   ISO P0
Maximum Capacity / Filling Slot	No
Rolling Element	Ball Bearing
Snap Ring	No
Internal Special Features	No
Cage Material	Steel
Enclosure Type	Contact Seal
Internal Clearance	C0-Medium
Inch - Metric	Metric
Long Description	25MM Bore; 62MM Outside Diameter; 17MM Outer Race Diameter; 2 Seals; Ball Bearing; ABEC 1   ISO P0; No Filling Slot; No Snap Ring; No Internal Special Features
Category	Single Row Ball Bearing
UNSPSC	31171504
Harmonized Tariff Code	8482.10.50.68
Noun	Bearing
Keyword String	Ball
Manufacturer URL	<a href="http://www.skf.com">http://www.skf.com</a>
Manufacturer Item Number	6305-2RS1
Weight / LBS	0.52
Bore	0.984 Inch   25 Millimeter
Outside Diameter	2.441 Inch   62 Millimeter
Outer Race Width	0.669 Inch   17 Millimeter
bore diameter:	25 mm
static load capacity:	11.6 kN



## TYB PRECISION AXLE CORP.

outside diameter:	62 mm
precision rating:	Not Rated
overall width:	17 mm
finish/coating:	Uncoated
bore type:	Round
cage material:	Steel
closure type:	Double Sealed
outer ring width:	17 mm
row type & fill slot:	Single Row Non-Fill Slot
fillet radius:	1 mm
internal clearance:	C0
maximum rpm:	7500 RPM
operating temperature range:	-40 to +210 ° F
series:	63
dynamic load capacity:	23.4 kN
$d_1$	36.6 mm
$D_2$	52.7 mm
$d_a$ min.	32 mm
$d_a$ max.	36.5 mm
$D_a$ max.	55 mm
$r_a$ max.	1 mm
Basic dynamic load rating C	23.4 kN
Basic static load rating $C_0$	11.6 kN
Fatigue load limit $P_u$	0.49 kN
Calculation factor $k_r$	0.03
Calculation factor $f_0$	12
Mass bearing	0.23 kg